

Board Bench

Board Bench Guide

Easy-to-Build with Step-by-Step Illustrations



© www.DIYGardenPlans.net

Legal

The contents of this guide may not be sold, modified or distributed in anyway without the expressed written consent of the publisher. Reprinting, copying, or any form of distribution for commercial or non-commercial purposes is strictly prohibited and will be prosecuted.

Disclaimer

Every attempt has been made to provide the most accurate information as possible. However, the publisher accepts no liability for any wrong information as result of purchasing and/or reading this guide.

You can follow this guide at your own risk, the publisher accepts no responsibility for any injury to any person.

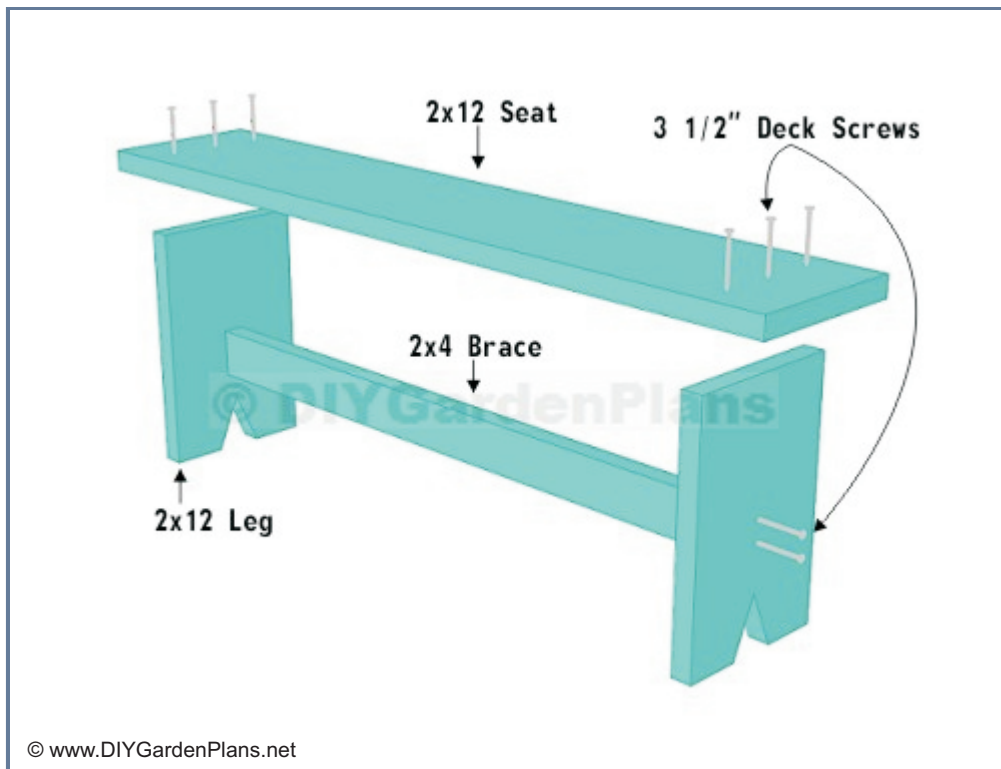
Copyright © www.DIYGardenPlans.net

All rights reserved

ISBN-13:

ISBN-10:

Exploded View

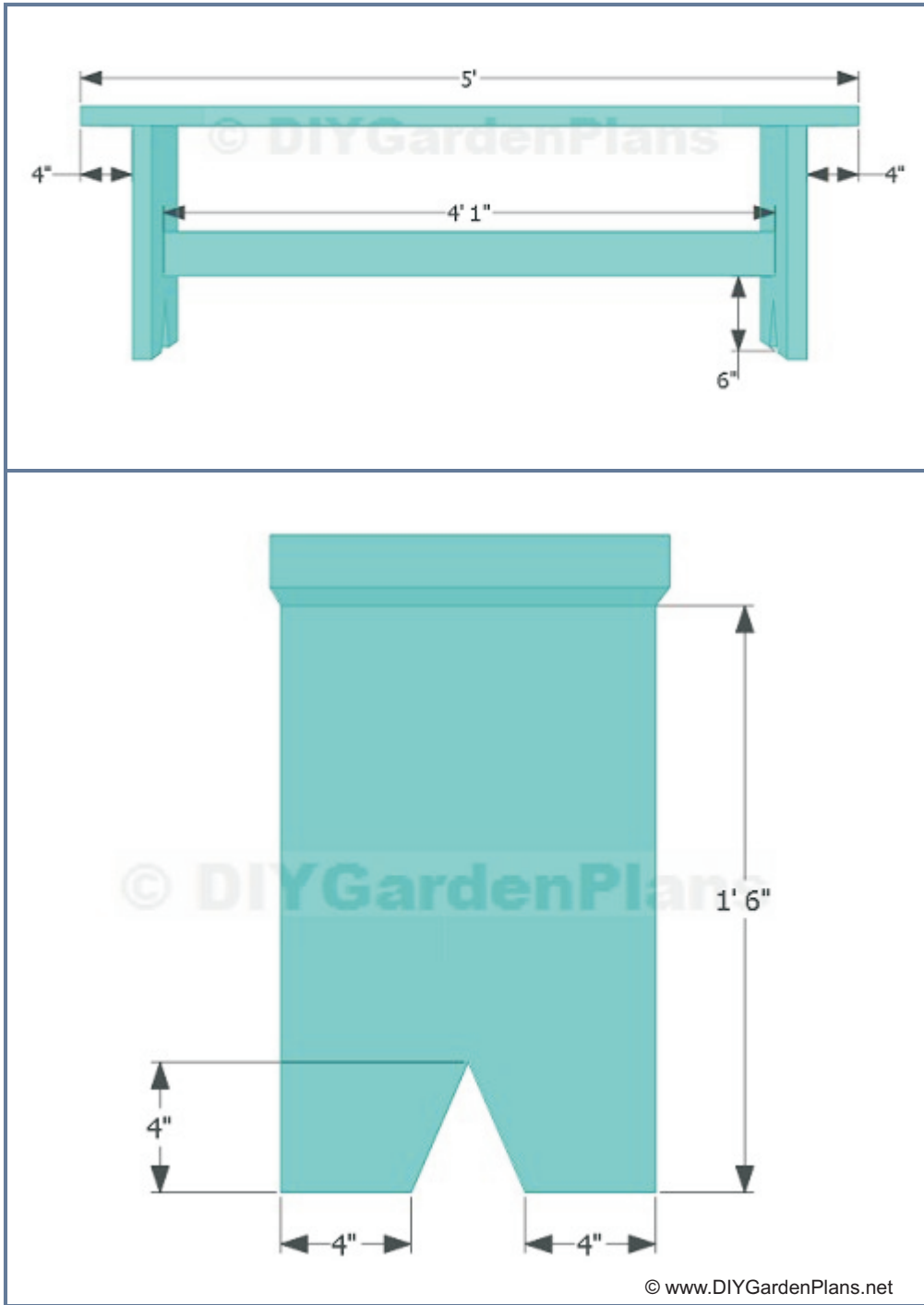


Cut the 8' 2x12 to:
One 5' for the seat.
Two 1'6" for the legs.

Cut the 8' 2x4 to:
One 4'1" for the brace.

Assemble with 3 1/2" deck screws.

Front View



Board Bench

Notes
